

EVOLEC



TUYA SMART



WIFI



ENERGY
METER



SMART LIFE



**WIFI NETWORK ANALYZER & PROTECTOR
ELWNA-P-100A**

WIFI Network analyzer and Protector

ELWNA

General

Full Protection, control and monitoring for your (2Poles/single phase), and (4Poles/Three phase) systems, ELWNA is a new generation of WIFI network analyzer and protector, designed to achieve the highest benefits for users.



Functions

- Pole:2P single phase /4P three phase
- Over-Voltage Protection
- Under-Voltage Protection
- Over-Current Protection
- Under-Current Protection
- Delay Protection
- Timer Switch
- Bidirectional Energy Monitor
- Current Leakage Protection
- High Temperature Protection (Can only be set on App)
- Phase sequence protection /three phase model (set by application)
- Shortage phase protection/ three phase model (set by application)
- Three phase voltage impedance protection / three phase model (set by application)
- Three phase current impedance protection / three phase model (set by application)
- Each parameter can be set with action threshold and on/off.

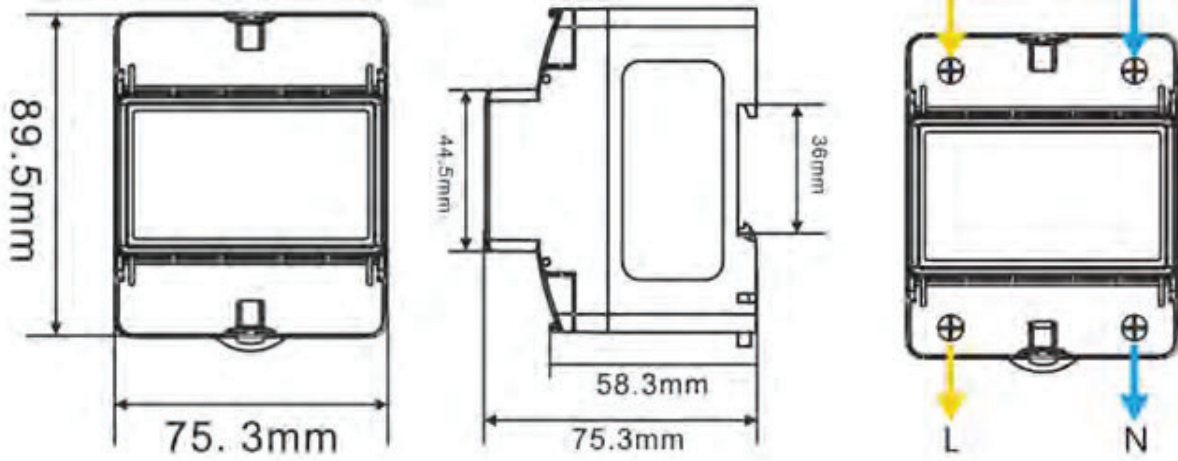
Application

- Industrial panels and applications.
- Commercial applications.
- Home applications.
- Distribution systems.
- Pumping systems.
- PV solar systems.

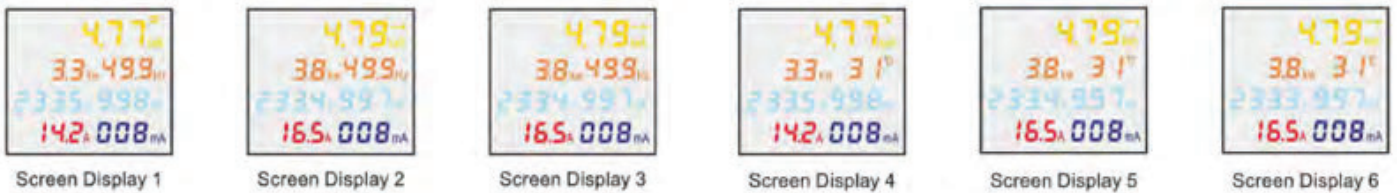
WiFi Network analyzer and Protector

ELWNA

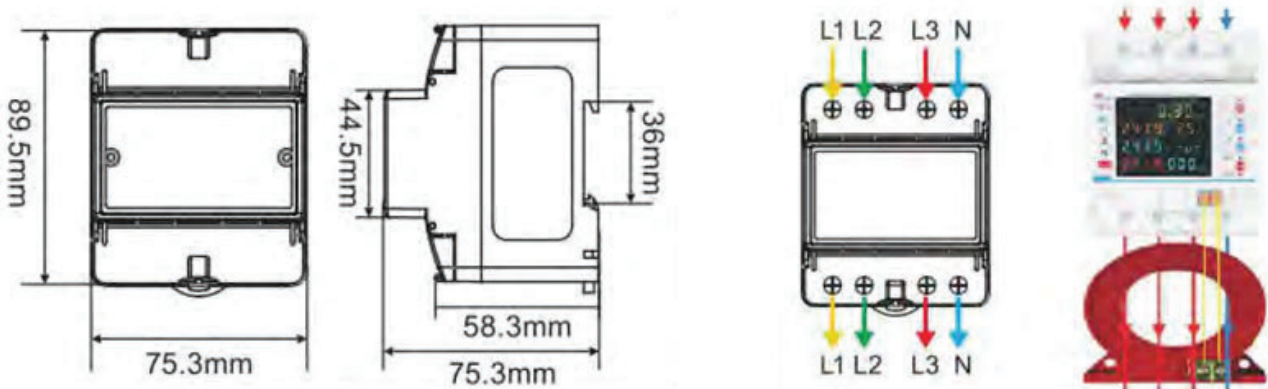
Overall and mounting dimensions(mm) /2P single phase



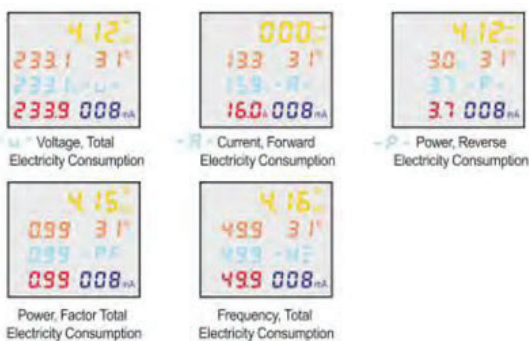
Display Mobe



Overall and mounting dimensions(mm) /4P Three phase



Display mode 1



Display mode 2

