

EVOLEC



LIGHTNING
PROTECTION



SURGE VOLTAGE
LIMITING



**SURGE PROTECTOR SPD
ELSP- 2P**

SURGE PROTECTOR

ELSPD

General

When surge overvoltage occurs in the system due to lightning stroke or other reasons, the protector immediately conducts in nanoseconds to introduce the surge overvoltage to the earth, thus protecting the electrical equipment on the grid.



Functions

- Has two types of protection, which can meet Class I [10/350 μ s waveform] and Class II [8/20 μ s waveform] SPD test, and voltage protection level $U_p \sim 1.5$ kV.
- Large-capacity SPD, maximum discharge current $I_{max} = 40$ kA.
- Pluggable module.
- Based on zinc oxide technology, it has no power frequency after current and a fast response speed, up to 25ns, the green window indicates normal, and the red indicates a defect, and the module needs to be replaced.
- Dual thermal disconnection device provides more reliable protection.
- Remote signal contacts are optional.
- Its surge protection range can be from power system to terminal equipment.
- It is applicable to direct lightning protection and surge protection of DC systems such as PV combiner box and PV distribution cabinet.

Application

- PV systems.
- Earthing systems.
- Home protection systems.
- Lightning protection.
- Surge protection.

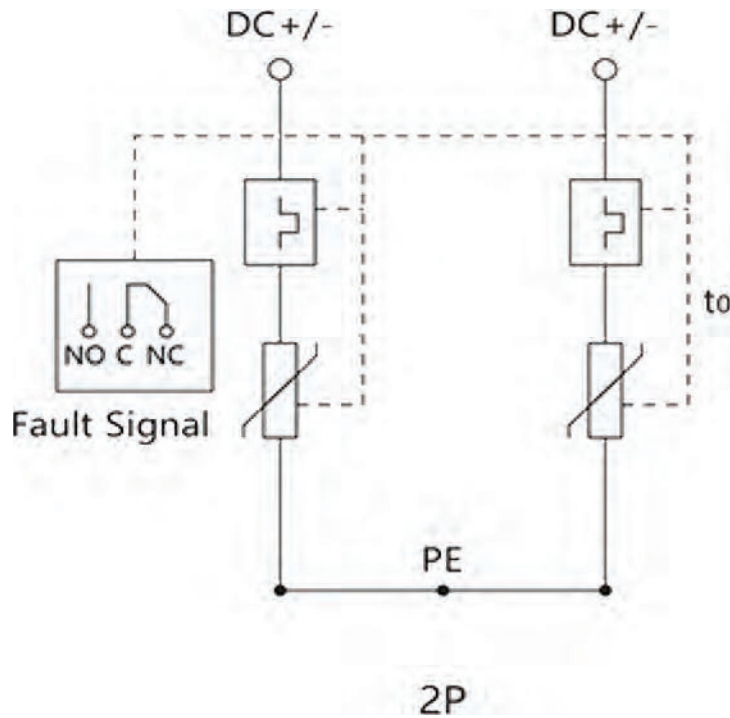
Technical data

Parameter	Data
Pole:	2P
Rated Working Voltage U_e (V):	500VDC/1000VDC
U_p (kV):	2.2 / 3 .6
Classified Test:	II
I_n (8/20) μ s (kA):	20
I_{max} (8/20) μ s (kA):	40
Standard:	IEC6164-31
Operating Temperature:	-30°C to +70°C
Humidity:	$\leq 95\%$
Altitude:	2000m
Installation:	35mm DIN Rail
Product Size (mm):	65*36*90

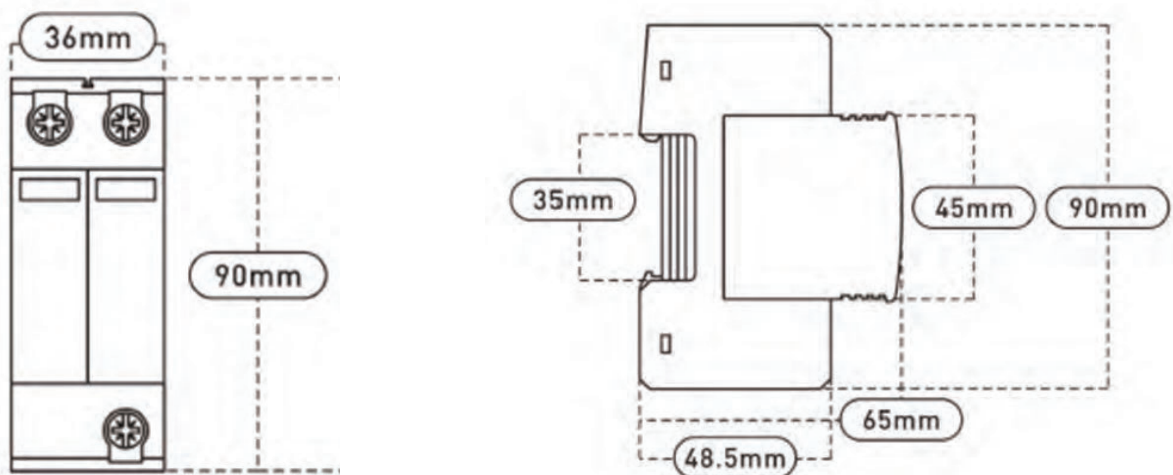
SURGE PROTECTOR

ELSPD

Wiring Diagram



Overall and mounting dimensions(mm)



Failure release device, Alarm release device

The surge protective device is equipped with a failure protection device. When the protector is broken down due to overheating, the failure protection device can automatically disconnect it from the power grid and give an indication signal.