

EVOLEC



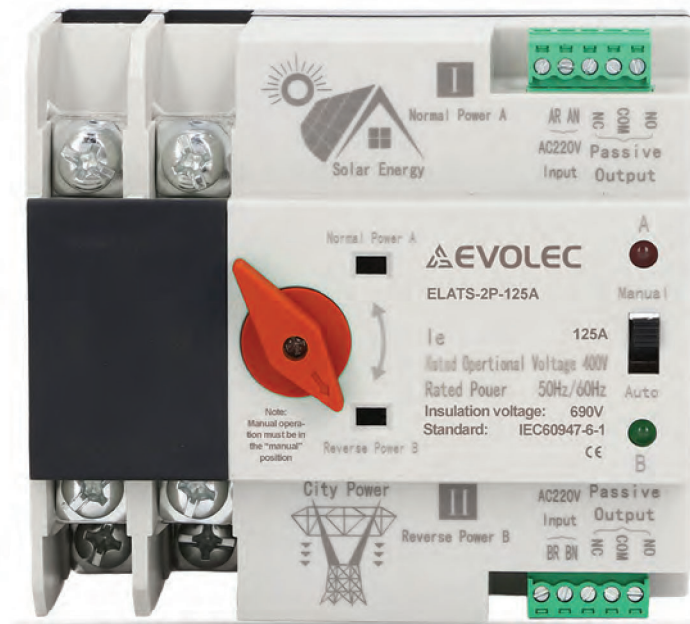
AUXILIARY CONTACT



AUTOMATIC/MANUAL SWITCHING



2 SOURCES CHANGEOVER



AUTOMATIC CHANGEOVER SWITCH ELATS 125A

Automatic change over switch

ELATS 125A

General

Ensure uninterrupted power supply for your critical applications with modular double power automatic changeover switch.

The switch is suitable in power supply system with 50/60Hz, rated voltage up to 400V and rated up to 125A. The seamless automatic switching between common and standby power supply ensures a reliable energy backup, perfect for high-rise buildings, shopping malls, fire pumps, smoke elimination fans, elevators, and emergency lighting applications. Trust in its versatility and reliability to keep your critical systems running without interruption.

EALTS Double Power Automatic Changeover Switch is a reliable and efficient solution crafted with premium materials. Seamlessly transfer power between common and standby sources, ensuring uninterrupted electricity supply during outages



Functions

- 2 sources automatic changeover.
- 2 sources manual changeover.
- Auxiliary contacts for indicator or control.
- Ability to prioritize the power source.

Application

- Distribution systems.
- PV solar systems.
- Home and industrial applications.

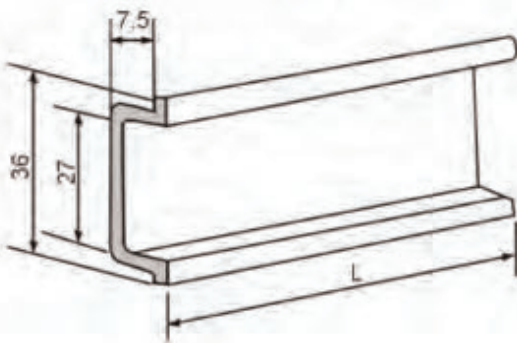
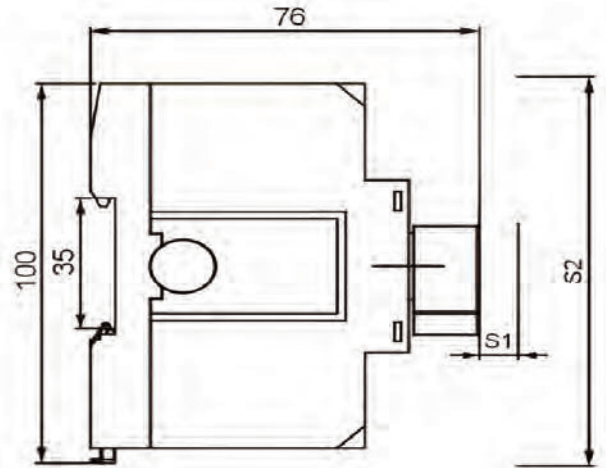
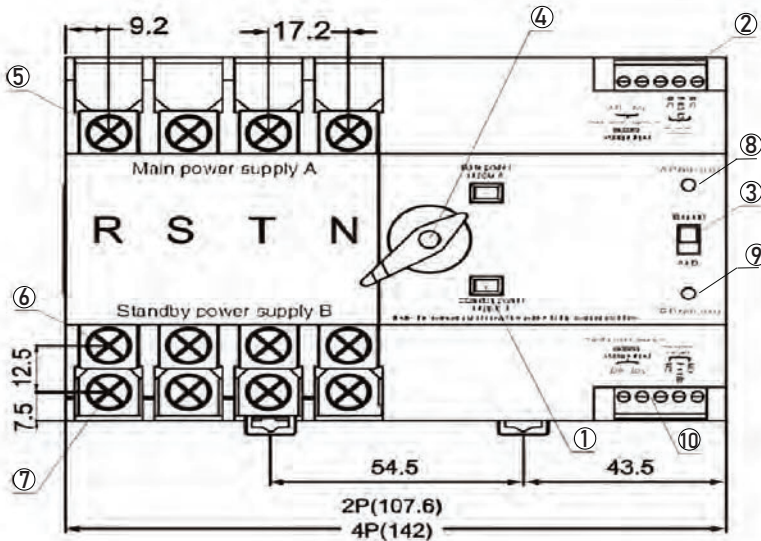
Technical data

Parameter	Data
Rated voltage U_e :	400VAC
Rated current I_e (A):	125A
Insulation voltage U_i :	690VAC
Utilization category:	AC-31 B
Poles :	2P, 4P
Electrical life:	2000 times.
Manual operation:	5000 times.
Rated short circuit current I_a :	50kA
Rated impulse withstand voltage:	8kV.
Control circuit: Rated control voltage U_s :	220VAC/50Hz Normal working conditions:85-110% U_s
Auxiliary circuit:	2 relays.
each with two sets of contact converter contact capacity:	220VAC/50Hz
Conversion time of contactor:	<50ms
Operation conversion time:	<50ms
Return conversion time:	<50ms
Power off time:	<50ms
Standard:	IEC609471-6

Automatic change over switch

ELATS 125A

Overall and mounting dimensions(mm)



- ① Status position indication
- ② Main power terminal and passive signal(AC220V)
- ③ Manual / automatic switch
- ④ Manual handle
- ⑤ Main terminal of common power side
- ⑥ Main terminal of standby power side
- ⑦ Main terminal of load connection side
- ⑧ A power indicator
- ⑨ B power indicator
- ⑩ Standby power terminal and passive signal(AC220V)

Wiring Diagram

